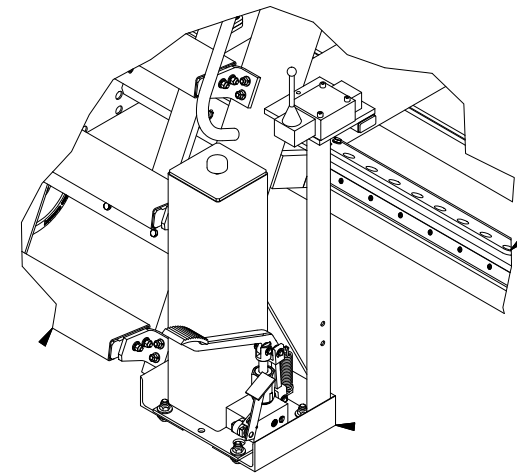
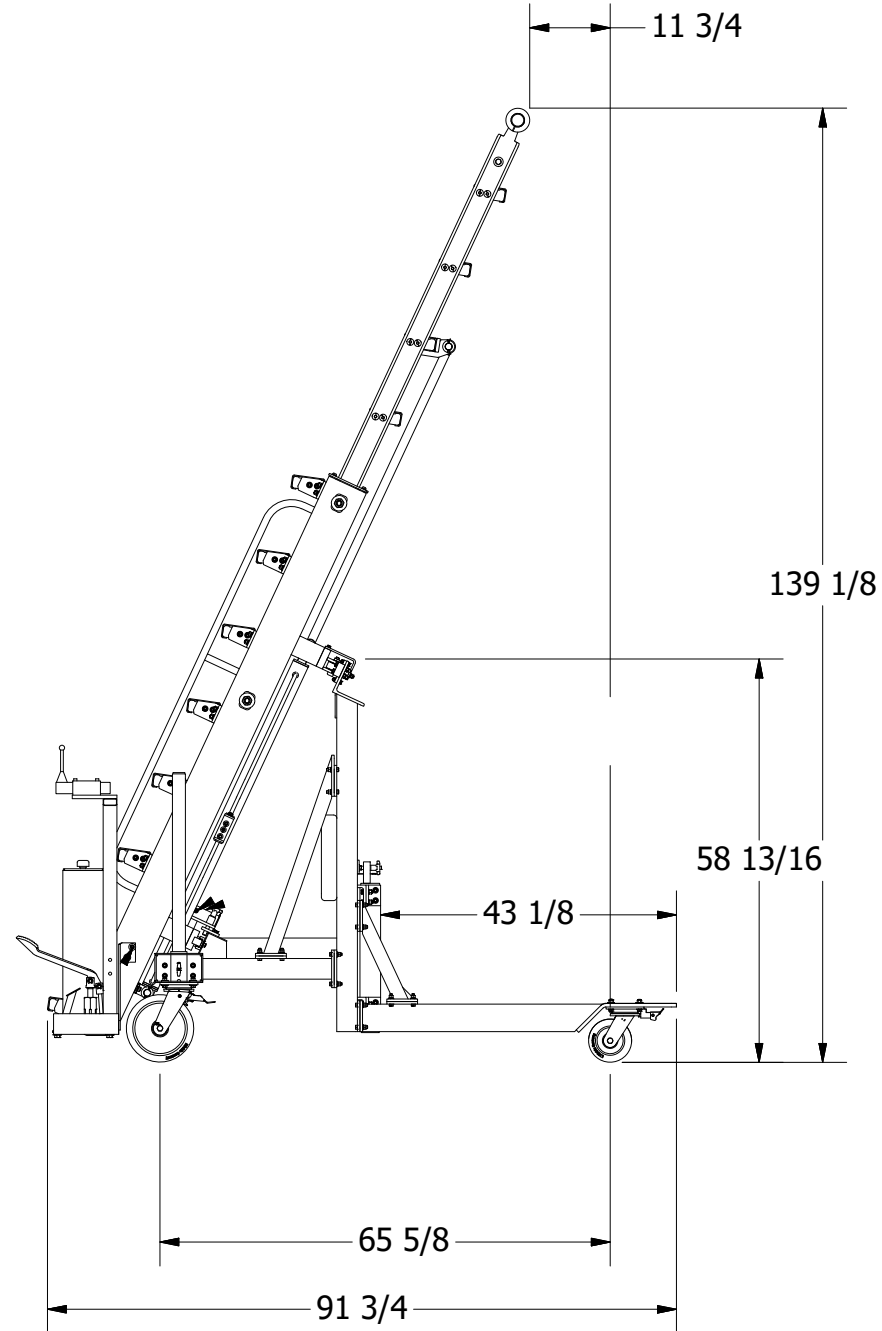
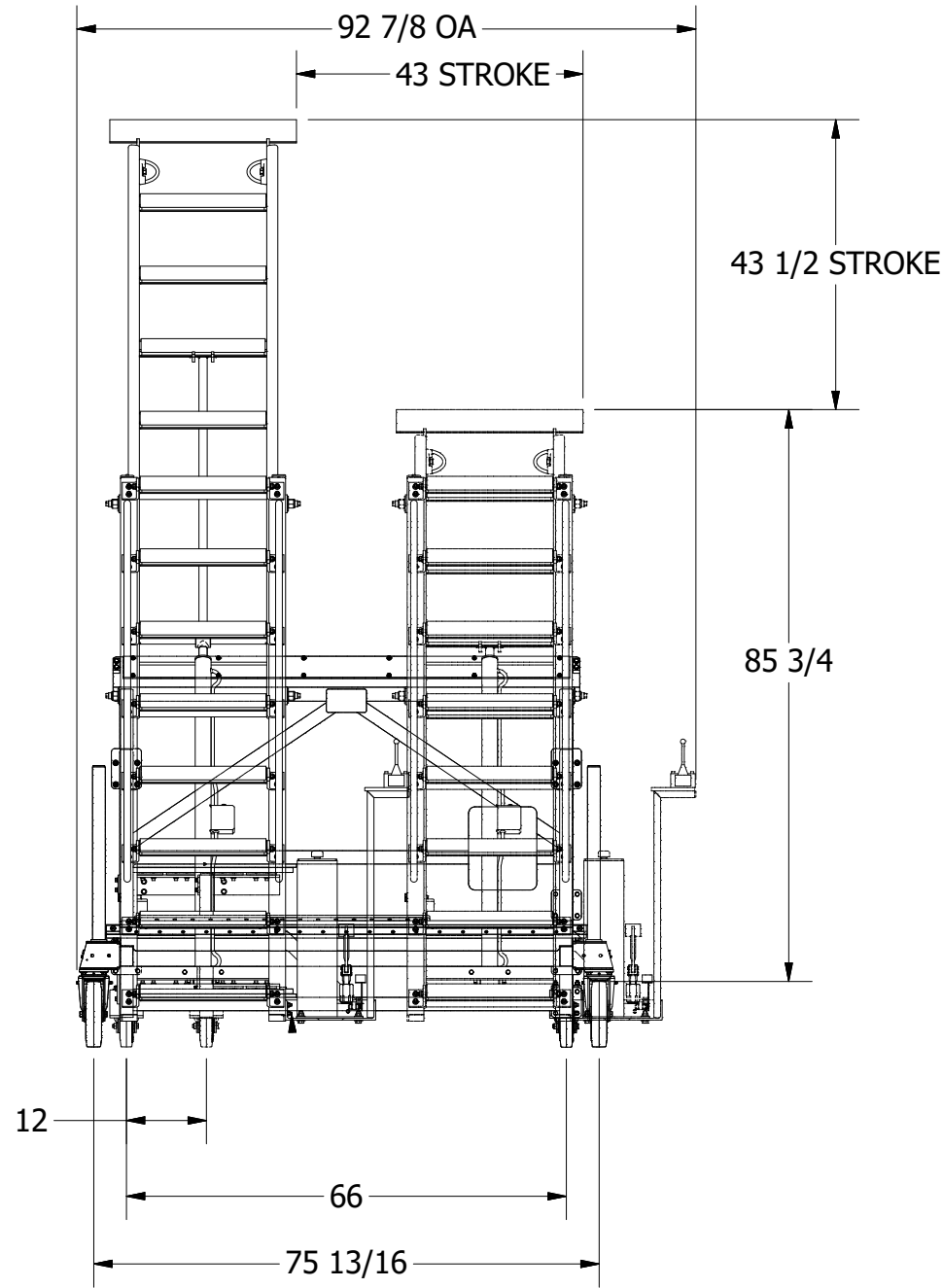
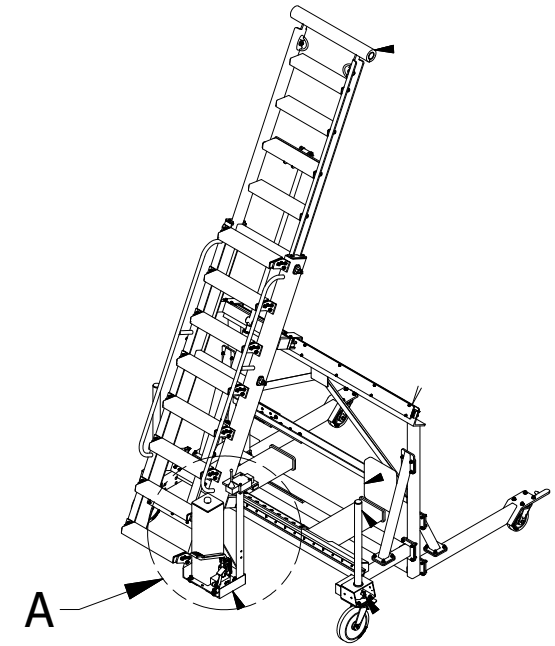


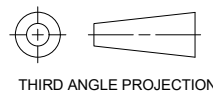
SIGNATURE	DATE
-----------	------



DETAIL A
SCALE 1 / 16



THIS DRAWING AND THE INTELLECTUAL INFORMATION ON THIS DRAWING ARE THE PROPERTY OF LIFTSAFE ENGINEERING & SERVICE GROUP INC. AND MAY NOT BE REPRODUCED OR USED IN ANY MANNER WITHOUT OUR WRITTEN CONSENT



Tolerance Unless Noted Otherwise				
ANGLE	FRACTION	DECIMAL PLACES	INCHES	MILLIMETRES
± 1/2°	± 1/16	.XXX	± .005	± 0.1
		.XX	± .010	± 0.3
		.X	± .020	± 0.5

Part No.	LIFTSAFE ENGINEERING & SERVICE GROUP INC.			
Materials.	www.liftsafeinspections.com T. (519) 896-2430/1-800-977-2005, Email: info@liftsafeinspections.com F. (519) 896-2085			
Work Order No.	Customer & Location: LIFTSAFE FALL PROTECTION AYR, ON		Project: WIDE BODY LANDING GEAR SERVICING STAND	
Next Assembly.	Date: 10/14/2016	Description: FINAL ASSEMBLY		
Checked By: C.R.	Date: 10/14/2016	SIZE: B	SCALE: N.T.S.	DWG NO: DF071592-04
Designed By: G.R.	Date: 10/14/2016	SHEET 1 OF 2		REV: 4.0
Drawn By: G.R.	Date: 10/14/2016			