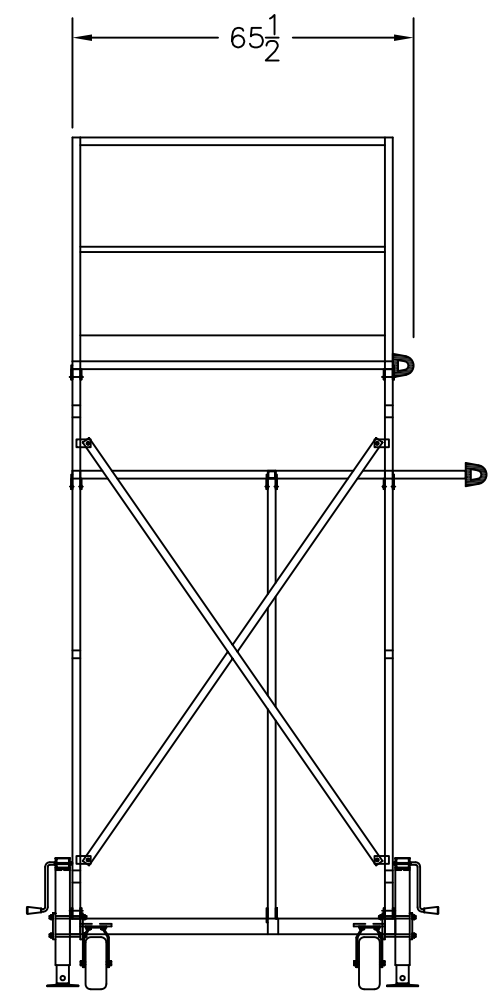



REVISIONS			
REV	DESCRIPTION	DATE	APPROVED
0	XXXXXXXXXXXXXXXXXX	XX-XXX-XX	XXX



	LIFTSAFE ENGINEERING & SERVICE GROUP INC.	NARROW BODY ACCESS STAND	
	PHONE: (519) 896-2430 FAX: (519) 896-2085 www.liftsafeinspections.com	XXXXXXXXXXXX XXXXXXX, XX	REV 0
DWG NO. XX-XXXX-XX		SCALE: NTS	DWG BY: XXXX
		SHEET: 1 OF 1	