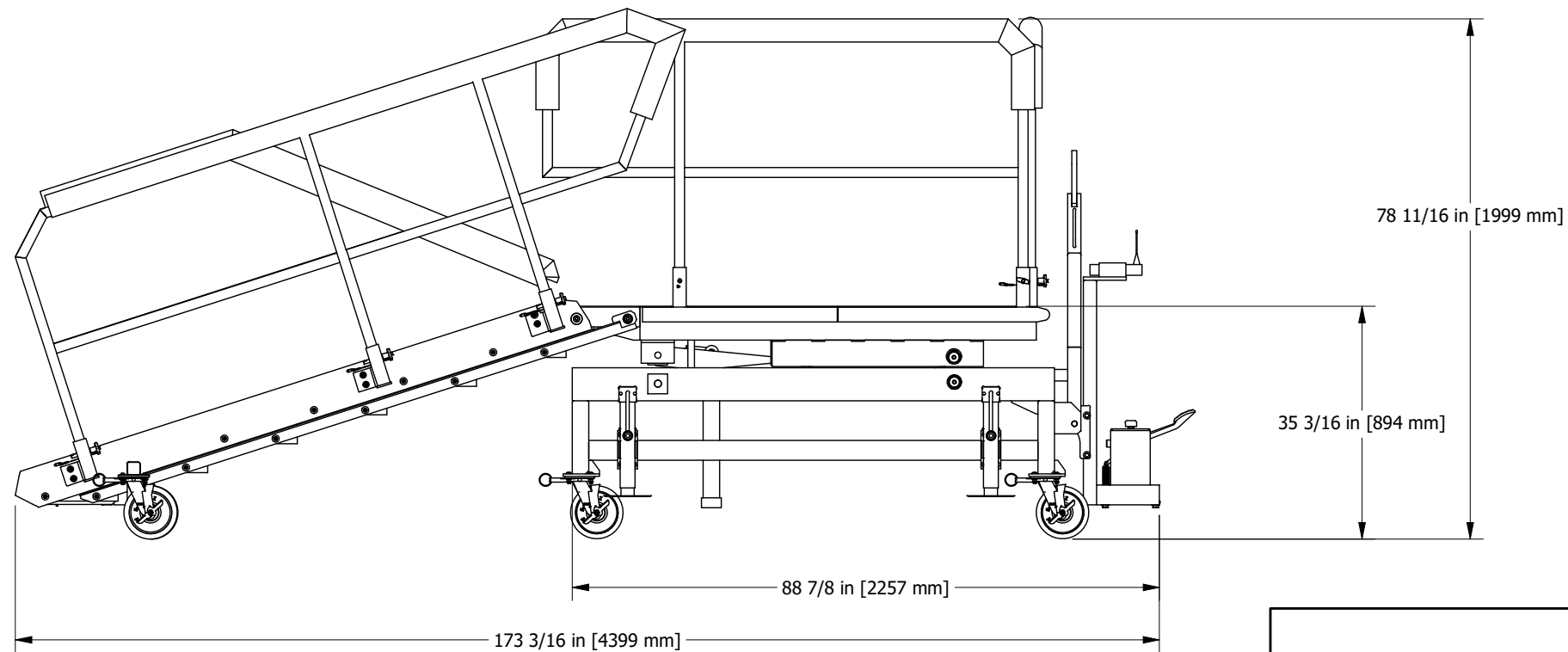
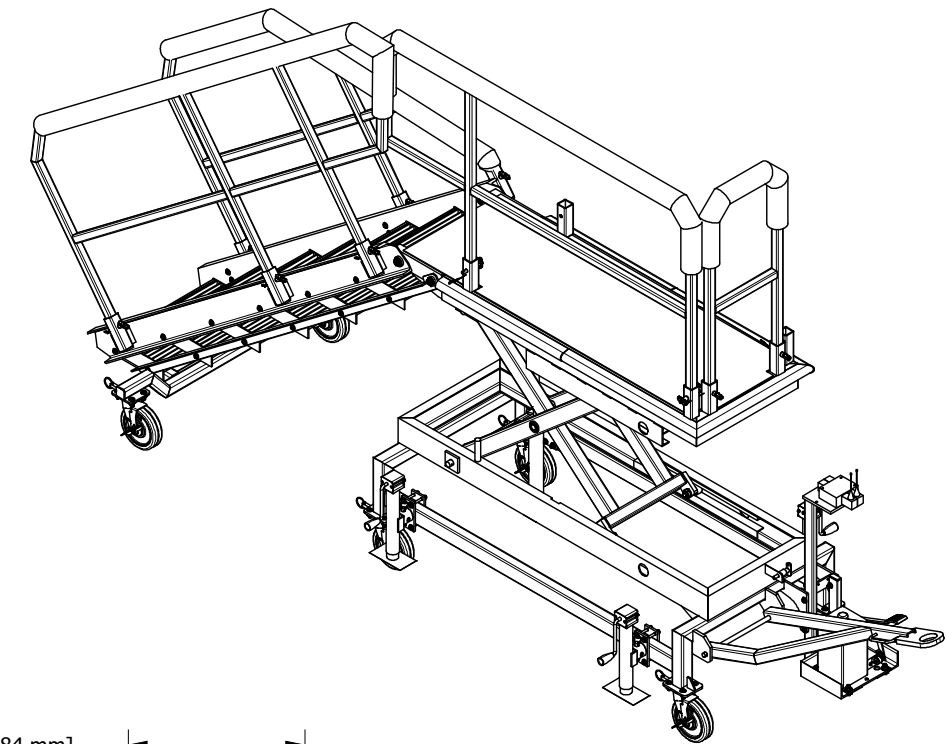
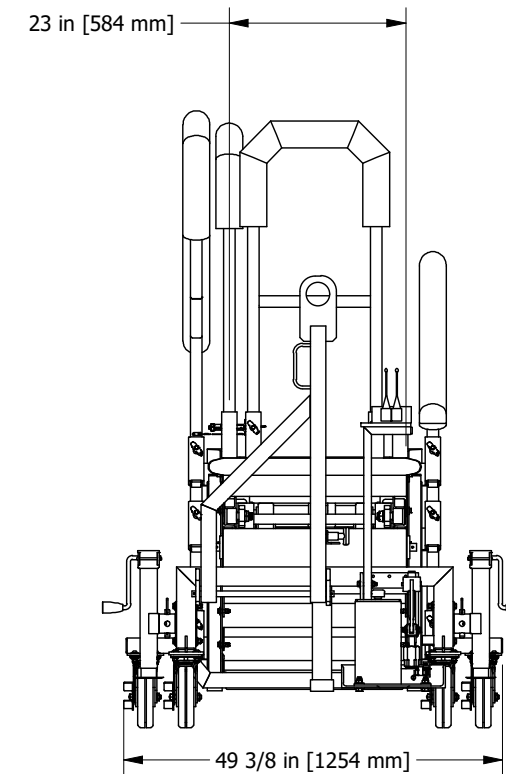


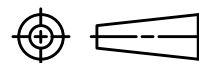
**EXTENDED POSITION**



**COLLAPSED POSITION**




THIS DRAWING AND THE INTELLECTUAL INFORMATION ON THIS DRAWING ARE THE PROPERTY OF LIFTSAFE ENGINEERING & SERVICE GROUP INC. AND MAY NOT BE REPRODUCED OR USED IN ANY MANNER WITHOUT OUR WRITTEN CONSENT



THIRD ANGLE PROJECTION

| Tolerance Unless Noted Otherwise |          |                |        |             |
|----------------------------------|----------|----------------|--------|-------------|
| ANGLE                            | FRACTION | DECIMAL PLACES | INCHES | MILLIMETRES |
| ± 1/2°                           | ± 1/16   | .XXX           | ± .005 | ± 0.1       |
|                                  |          | .XX            | ± .010 | ± 0.3       |
|                                  |          | .X             | ± .020 | ± 0.5       |

|                           |   |  |   |                     |
|---------------------------|---|--|---|---------------------|
| Part No.<br><b>V03940</b> |  | <b>LIFTSAFE ENGINEERING &amp; SERVICE GROUP INC.</b>   |   |                     |
| Materials.                |   | www.liftsafeinspections.com T. (519) 896-2430/1-800-977-2005,<br>Email: info@liftsafeinspections.com F. (519) 896-2085 |   |                     |
| Work Order No.            | Customer & Location:  |  | Project:<br><b>SIDE SCROLL ACCESS STAND [SMALL]</b> |                     |
| Next Assembly.            | Checked By: <b>CR.</b>  | Date: <b>AUG.09.2019</b>   | Description:  |                     |
|                           | Designed By: <b>MC.</b>   | Date: <b>AUG.09.2019</b>   | SIZE: <b>B</b>                                      | SCALE: <b>N.T.S</b> |
|                           | Drawn By: <b>MC.</b>  | Date: <b>AUG.09.2019</b>   | DWG NO: <b>DF071563-01</b>                          |                     |
|                           |   |  | SHEET 1 OF 1  |                     |
|                           |   |  |   | REV: <b>1</b>       |